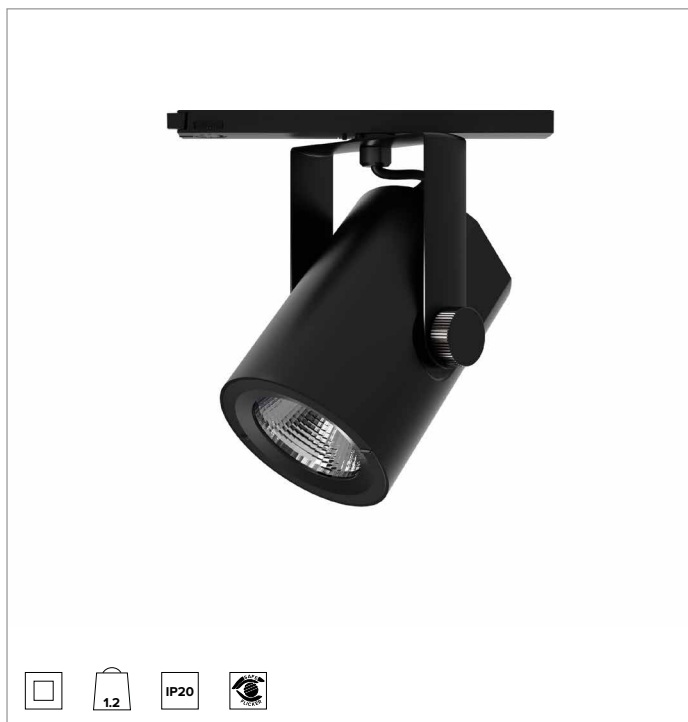
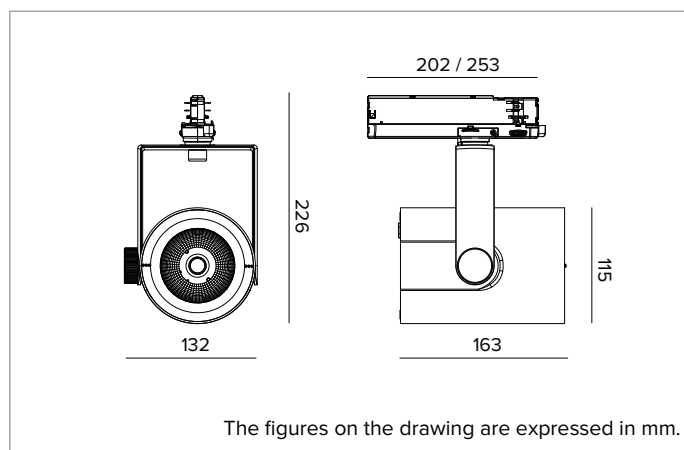


T032SPR940DADB | RAY 115

Professional adjustable LED projector



	4000K	H(m)	D(m)	Emax(lx)
	Ra90		14°	
Fixture Power	41W	1	0.24	41563
Source Flux	5119lm	2	0.48	10391
Fixture Flux	4314lm	3	0.72	4618
Efficacy	104lm/W	4	0.96	2598
TS832	Imax=8119cd/klm	Imax	41563cd	5
			1.20	1663



SOURCE

High efficiency Chip on Board LED Ra90. Ra97 on request.

Energy efficiency class: E

Nominal power: 36W

Nominal flux: 5119lm

Colour rendering index: 90

Rf: 90

Rg: 98

CCT nominal: 4000K

Lifetime (L80/B10): >50000h tq +25°C

ILLUMINOTECHNICAL CHARACTERISTICS

Reflector with ellipsoidal facets in reflective anodised aluminium. Interchangeable reflectors available as accessories.

Optic: REFLECTOR

Beam angles: SP

Optical efficiency: 84%

Fixture flux: 4314lm

Luminous efficacy: 104lm/W

Photobiological safety: Compliant with RG1 low risk group

MECHANICAL CHARACTERISTICS

Painted die-cast aluminium body. Black painted polycarbonate front ring. Adjustable from 0° to -90° on the vertical plane and 359° on the horizontal plane. Mechanical beam locking system on the vertical plane and friction beam locking system on the horizontal plane. The centre of gravity always remains in axis with the track regardless of the aiming.

Colour and finish: Deep black

Dimensions: 115

Weight: 1.2Kg

Degree of protection: IP20

ELECTRICAL CHARACTERISTICS

DALI electronic driver integrated into the track adapter.

Fixture Power: 41W

Power supply: 220-240Vac 50/60Hz

Insulation Class: CLASS 2

Type of driver / Control: DALI

Driver included: YES

Class F: YES

SAFE FLICKER: PstLM=<1 and SVM=<0.4 (IEC TR 61547-1 and IEC TR 63158), to ensure a more comfortable and safe light

Ambient temperature: 0°C / +25°C

INSTALLATION

Electrified track mounting. Optical accessories that can be installed with a support ring are available.

WARRANTY

5 years.

WARNING

Luminaire designed for disposal/recycling at end-of-life. Replaceable (LED only) light source by a professional. Replaceable control gear by a professional.

Due to the technological evolution of the electronic components, the data provided may be updated, and as such, confirmation must be requested during the order process.

Luminous flux and power supply have +/-10% tolerances with respect to the indicated value. tq +25°C (CIE 121).

We reserve the right to make technical changes.

Targetti Sankey S.r.l.
Via Pratese, 164
50145 Firenze - Italy
Tel: +39 055 37911
targetti.com
targetti@targetti.com

CCIAA Firenze
Share Capital:
€ 500.000,00
VAT N. (IT):
01537660480
R.E.A: FI-275656

TARGETTI

T032SPR940DADB | RAY 115
Professional adjustable LED projector

Accessories

Cut-off



Ø mm	Code
80	1T3142

Cut-off Tube.
 Allows for the beam to be focused while removing the fall-off component.

Ray Shade



Ø mm	Code
118	A025

Adjustable barn doors flaps made of black painted steel.

Optic



Ø mm	Optic	Code
80	SP 14°	A057SPR
80	FL 25°	A057MFR
80	MWFL 45°	A057MWR

Interchangeable anodised reflective aluminium reflectors.
 Available in Spot, Flood and Medium Wide Flood beams.

*Due to the technological evolution of the electronic components, the data provided may be updated, and as such, confirmation must be requested during the order process.
 Luminous flux and power supply have +/-10% tolerances with respect to the indicated value. tq +25°C (CIE 121).*

We reserve the right to make technical changes.

Targetti Sankey S.r.l.
 Via Pratese, 164
 50145 Firenze - Italy
 Tel: +39 055 37911
 targetti.com
 targetti@targetti.com

CCIAA Firenze
 Share Capital:
 € 500.000,00
 VAT N. (IT):
 01537660480
 R.E.A.: FI-275656

